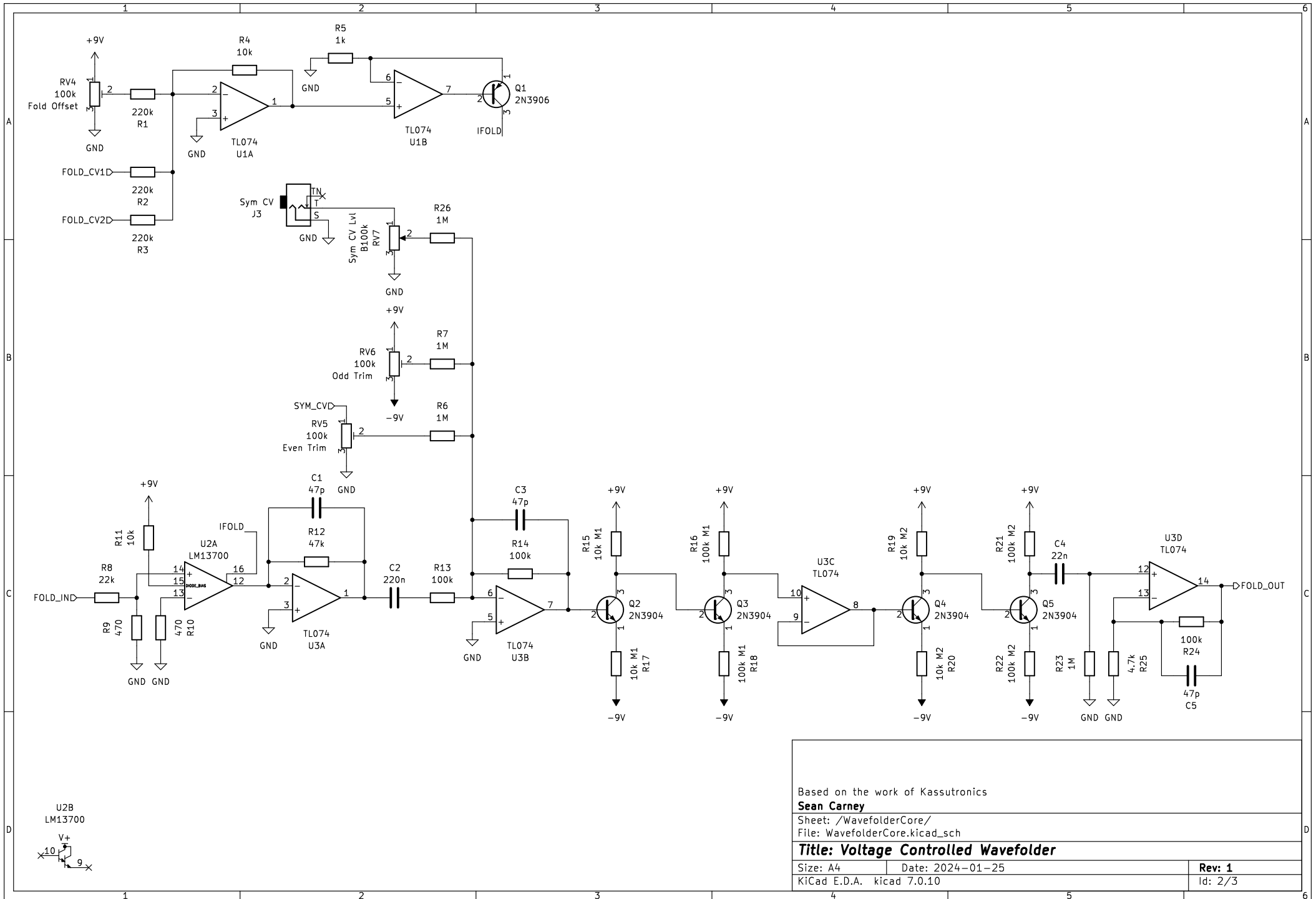


Based on the work of Kassutronics  
**Sean Carney**  
 Sheet: /  
 File: Wavefolder.kicad\_sch  
**Title: Voltage Controlled Wavefolder**  
 Size: A4 Date: 2024-01-25  
 KiCad E.D.A. kicad 7.0.10 Id: 1/3



Based on the work of Kassutronics

**Sean Carney**

Sheet: /WavefolderCore/  
File: WavefolderCore.kicad\_sch

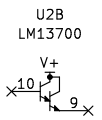
**Title: Voltage Controlled Wavefolder**

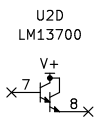
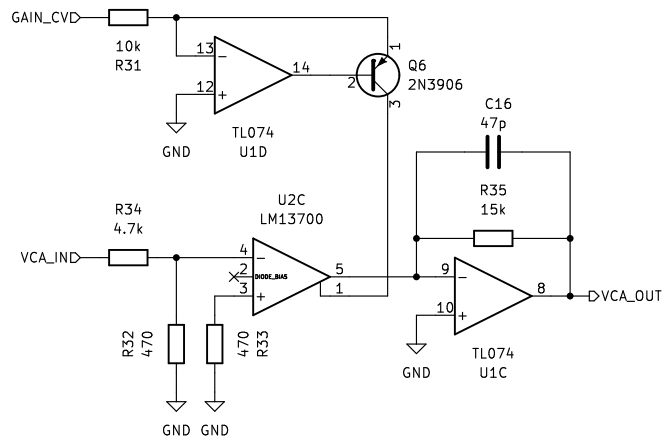
Size: A4 Date: 2024-01-25

KiCad E.D.A. kicad 7.0.10

**Rev: 1**

Id: 2/3





Based on the work of Kassutronics

**Sean Carney**

Sheet: /VCACore/

File: VCACore.kicad\_sch

**Title: Voltage Controlled Wavefolder**

Size: A4 Date: 2024-01-25

**Rev: 1**

KiCad E.D.A. kicad 7.0.10

Id: 3/3